

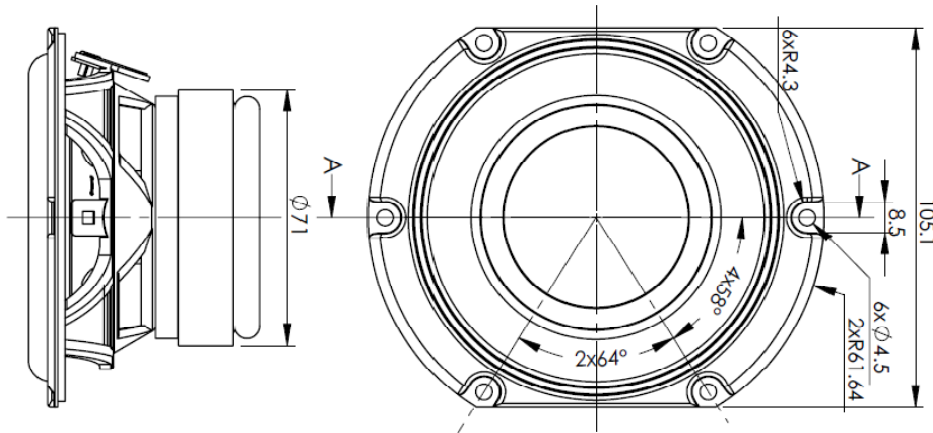


**Product Description:**

The SDS compact subwoofer family offers low resonant frequency performance, ideally suited for compact sealed enclosures. This 4 inch 8 ohm member of the SDS family offer a coated paper cone with rubber surround, a high power voice coil suspended in a ferrite magnet motor, and a narrow-profile steel basket, shaped to fit into narrow cabinets.



**Mechanical 2D Drawing:**



**Specifications:**

DC Resistance	$R_{evc}$	$\Omega$	5.6	5.0%	Energy Bandwidth Product	EBP	$(1/Q_{es}) \cdot f_s$	129
Minimum Impedance	$Z_{min}$	$\Omega$	6.5	10.0%	Moving Mass	$M_{ms}$	g	6.9
Voice Coil Inductance	$L_e$	mH	0.24		Suspension Compliance	$C_{ms}$	um/N	923
Resonant Frequency	$f_s$	Hz	63	15.0%	Effective Cone Diameter	D	cm	8.00
Mechanical Q Factor	$Q_{ms}$	-	4.66		Effective Piston Area	$S_D$	cm <sup>2</sup>	50.3
Electrical Q Factor	$Q_{es}$	-	0.49		Equivalent Volume	$V_{as}$	L	3.275
Total Q Factor	$Q_{ts}$	-	0.44		Motor Force Factor	BL	T·m	5.58
Ratio $f_s / Q_{ts}$	F	$f_s / Q_{ts}$	143		Motor Efficiency Factor	$\beta$	$(T \cdot m^2) / \Omega$	5.61
Half Space Sensitivity @ 2.83V	dB@2.83V/1m	dB	84.8	+/-1.0 <sup>1</sup>	Voice Coil Former Material	VC <sub>fm</sub>	-	GSV
Sensitivity @ 1W/1m	1W/1m	dB	83.2	+/-1.0 <sup>1</sup>	Voice Coil Inner Diameter	VC <sub>d</sub>	mm	25.73
					Gap Height	Gh	mm	6.00
Rated Noise Power (IEC 2685 18.1)	P	W	30		Maximum Linear Excursion	X <sub>max</sub>	mm	3.00
Test Spectrum Bandwidth	60Hz - 5kHz	12 dB/Oct			Ferrofluid Type	FF	N/A	
					Transducer Size	-	inch	4
					Transducer Mass	-	Kg	0.74

1 - Piston Band Sensitivity Tolerance

**Frequency and Impedance Response:**

